

PONARC

INSTALLATION GUIDE

Luxa Riparo

Pura

Carport

Free-standing aluminium carport.
Slatted aluminium roof, integrated drainage.

A LUXASHADE PRODUCT

 LUXASHADE

EN

10 steps to a finished carport.

TOTAL TIME

2h 43m

summed across all 10 steps

CREW

2 installers

recommended throughout

DIFFICULTY



moderate - power tools required

EDITION

2026.1

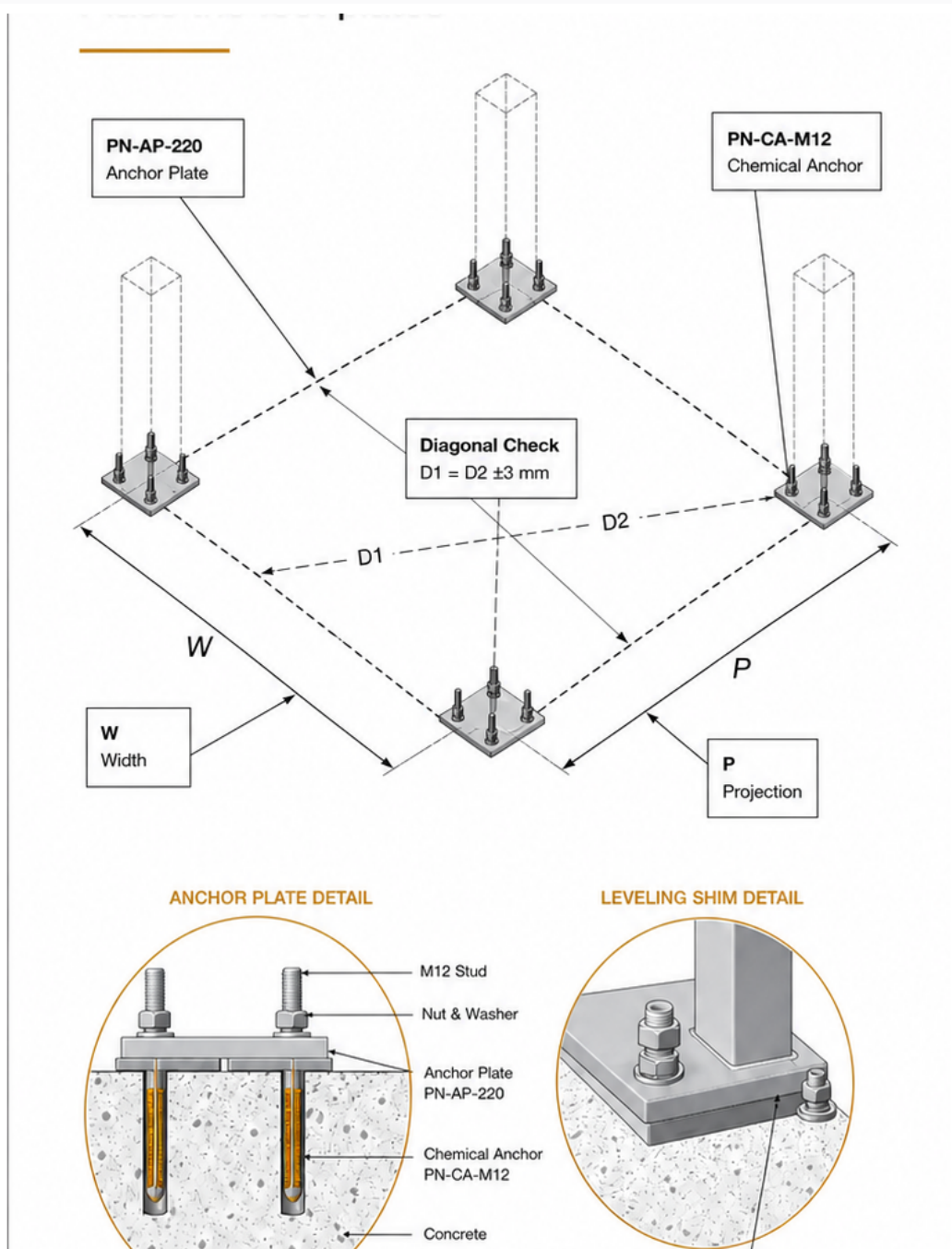
January 2026 · EN

01	Place the foot plates First action on the slab — sets the entire system geometry.	FRAME	30-45 min
02	Pre-assemble the four columns Pre-assemble corner hardware before lifting heavy columns.	FRAME	15-20 min
03	Prepare the long perimeter gutters Cut both long gutters from the same extrusion as a matched pair.	FRAME	10-15 min
04	Install heli-coils in the long gutters Thread M6 / M8 helicoils so corner bolts seat into proper threads.	FRAME	10-15 min
05	Assemble the long side frames Two long-side ladders ready — the frame begins to take shape.	FRAME	20-30 min
06	Install the roof slat base covers Asymmetric covers slide before sides are permanently fixed.	FRAME	5-10 min
07	Mount the long side frames onto the feet Lift the long-side frames onto the foot stubs — two installers per side.	MOUNT	15-20 min
08	Install the left short gutter First short-side closure — geometry still adjustable here.	MOUNT	10-15 min
09	Install the right short gutter Right-side closure locks the rectangle — diagonals must match within 5 mm.	MOUNT	10-15 min
10	Seal the four corners A continuous neutral-cure silicone bead seals the four upper corners.	FINISH	10-15 min → STEP D1

01 Place the foot plates

First action on the slab — sets the entire system geometry.

- 01
- 02
- 03
- 04
- 05
- 06
- 07
- 08
- 09
- 10



01 Place the foot plates

First action on the slab — sets the entire system geometry.



SUB-STEP

- 1 Mark the four corner positions according to the site survey.
- 2 Verify W x P footprint and check both diagonals.
- 3 Place the ground connections with feeds facing inside.
- 4 Drill and fix the plates to the floor.
- 5 Check that all plates are level.
- 6 Confirm the layout before column assembly.



SPECIFICATIONS

- Foot plate: PN-AP-220
- Anchor fastener: PN-FX-M6
- Layout: W x P rectangle
- Diagonal tolerance: ± 3 mm
- Feed orientation: inside

- 01
- 02
- 03
- 04
- 05
- 06
- 07
- 08
- 09
- 10



TIP

Keep the feed/open side facing the system interior.



WATCH OUT

Wrong orientation will affect water outlet alignment.



TOOLS

Tape measure, water level, drill, hammer



TIME

30-45 min

NEXT

D2

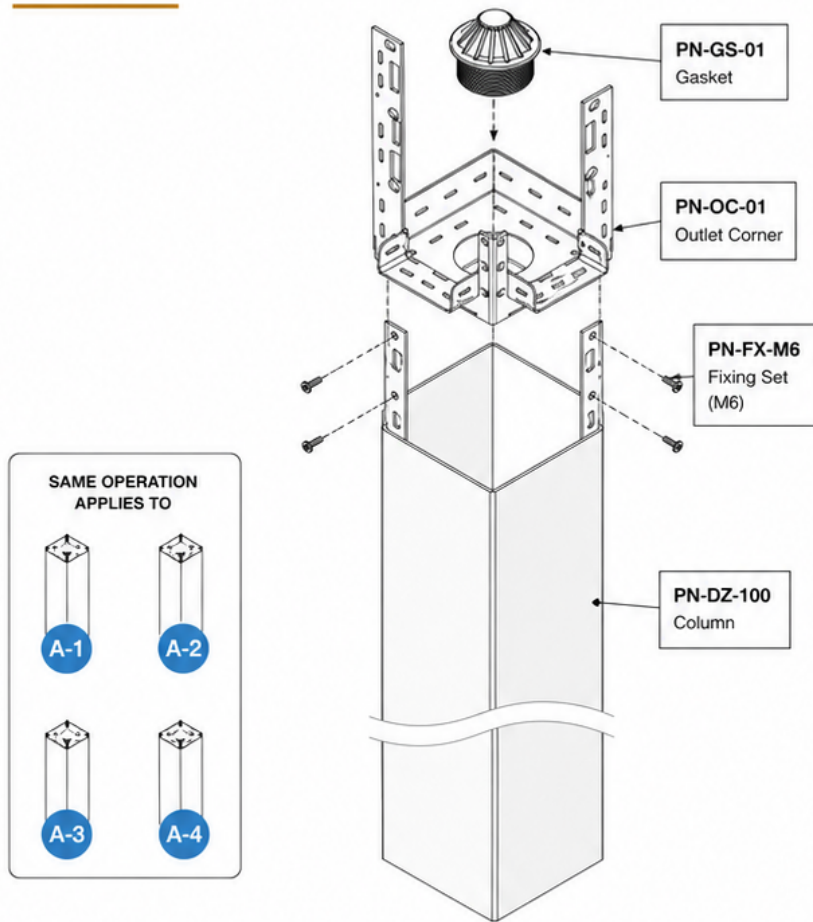
Pre-assemble the four columns



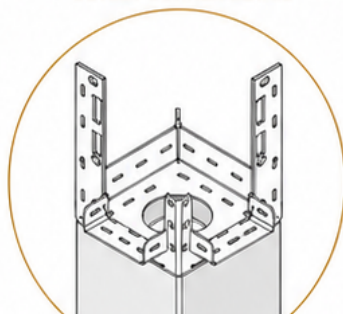
02 Pre-assemble the four columns

Pre-assemble corner hardware before lifting heavy columns.

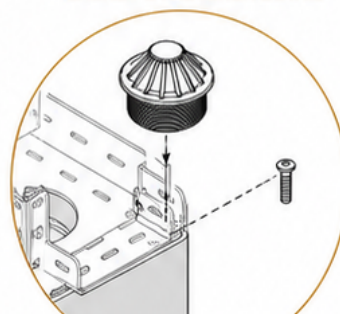
- 01
- 02
- 03
- 04
- 05
- 06
- 07
- 08
- 09
- 10



OUTLET CORNER DETAIL



GASKET & FASTENER DETAIL



02

Pre-assemble the four columns

Pre-assemble corner hardware before lifting heavy columns.



SUB-STEPS

- 1 Pre-assemble each column before placing it on the feet.
- 2 Position the outlet corner on the column top.
- 3 Place gasket on the outlet corner.
- 4 Align fixing holes with the column.
- 5 Insert M6 screws and tighten securely.
- 6 Repeat for A-1 to A-4.



SPECIFICATIONS

- Column profile: PN-DZ-100
- Outlet corner: PN-OC-01
- Gasket: PN-GS-01
- Applicable to: 4 columns



TIP

Prepare all columns before frame assembly to improve efficiency.



WATCH OUT

Incorrect outlet orientation may lead to drainage issues.



TOOLS

Hex keys, screwdriver, soft mallet



TIME

15-20 min

NEXT

D3

Prepare the long perimeter gutters



03

Prepare the long perimeter gutters

Cut both long gutters from the same extrusion as a matched pair.

01

02

03

04

05

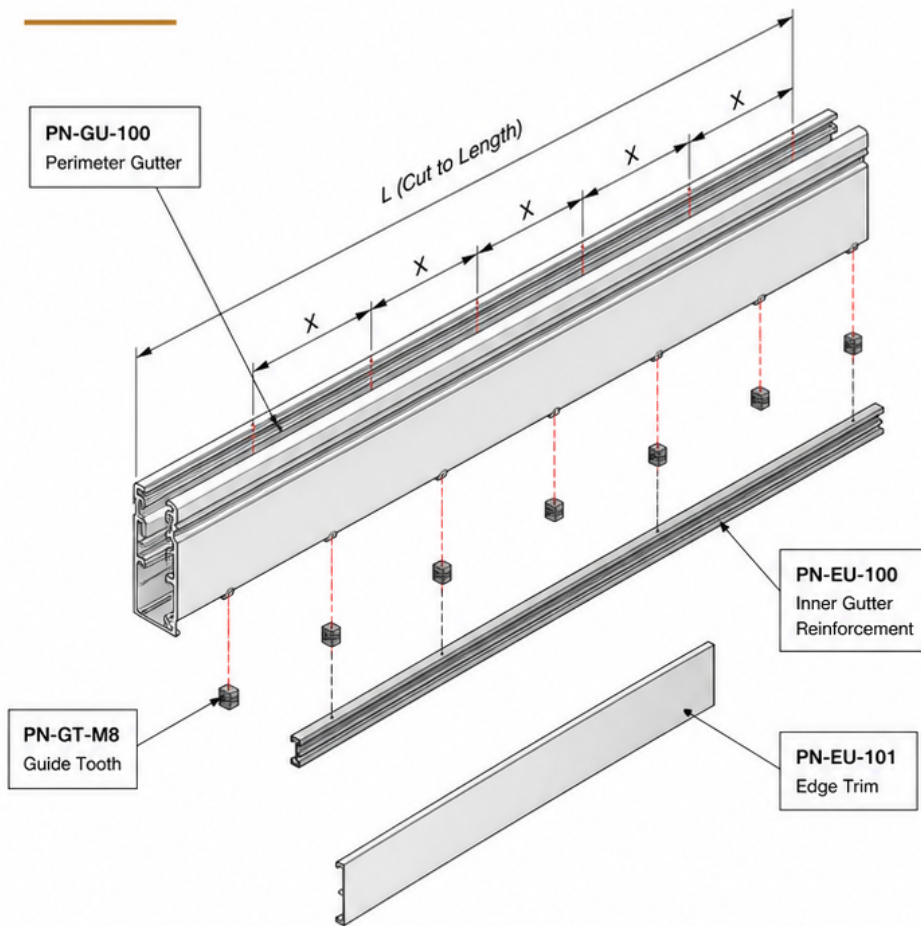
06

07

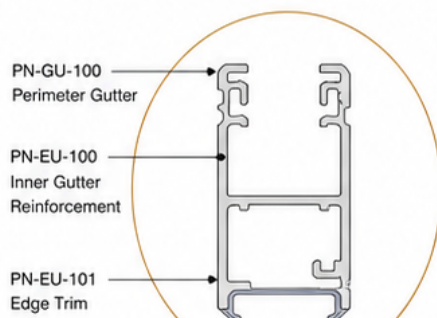
08

09

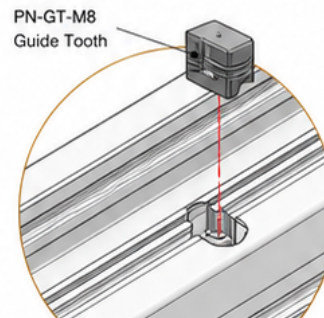
10



GUTTER CROSS-SECTION DETAIL



GUIDE TOOTH CHANNEL DETAIL



03

Prepare the long perimeter gutters

Cut both long gutters from the same extrusion as a matched pair.

- 01
- 02
- 03**
- 04
- 05
- 06
- 07
- 08
- 09
- 10



SUB-STEPS

- 1 Cut PN-GU-100 to required length.
- 2 Slide guide teeth into screw channels.
- 3 Confirm inserts are fully seated.
- 4 Check PN-EU-100 reinforcement orientation.
- 5 Check PN-EU-101 edge trim orientation.
- 6 Prepare B-1 and B-2 identically.



SPECIFICATIONS

- Gutter: PN-GU-100
- Reinforcement: PN-EU-100
- Edge trim: PN-EU-101
- Long members: B-1 and B-2
- Guide teeth: M8/M6 as required



TIP

Prepare both long gutters as a matched pair.



WATCH OUT

Incorrect insert spacing prevents later column connection.



TOOLS

Tape measure, marker, hex key



TIME

10-15 min

NEXT

D4

Install heli-coils in the long gutters



04

Install heli-coils in the long gutters

Thread M6 / M8 helicoils so corner bolts seat into proper threads.

01

02

03

04

05

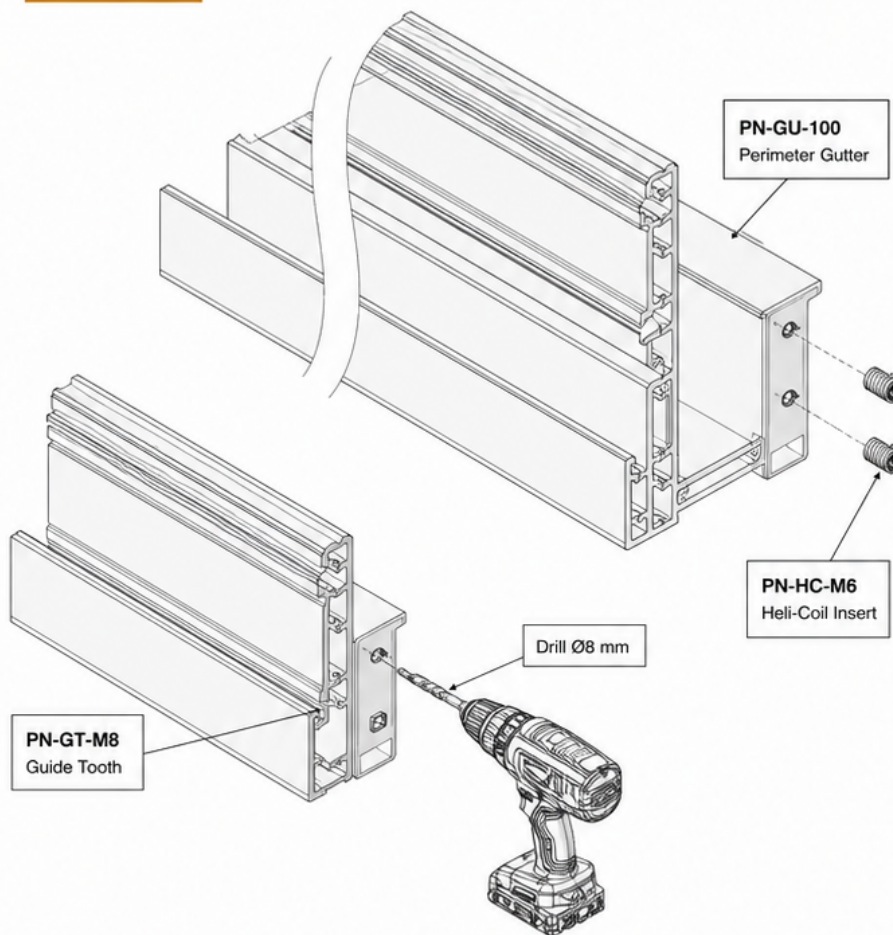
06

07

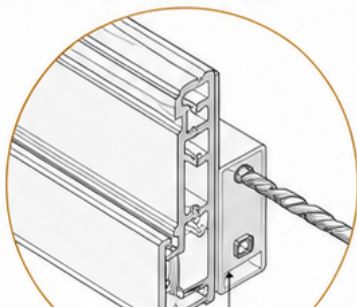
08

09

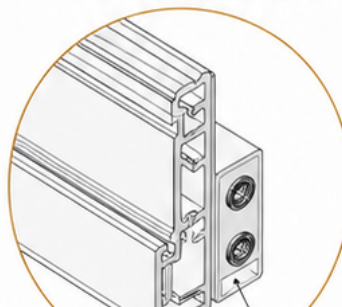
10



DRILLING OPERATION DETAIL



COMPLETED HELI-COIL INSERT DETAIL



04

Install heli-coils in the long gutters

Thread M6 / M8 helicoils so corner bolts seat into proper threads.



SUB-STEPS

- 1 Drill prepared end positions using Ø8 mm drill.
- 2 Install heli-coil inserts into the prepared holes.
- 3 Ensure inserts are seated to correct thread depth.
- 4 Repeat at opposite end of the same gutter.
- 5 Ensure both ends are prepared for assembly.
- 6 Clean chips and debris from the channel.



SPECIFICATIONS

- Gutter profile: PN-GU-100
- Insert type: heli-coil
- Drill size: Ø8 mm
- Quantity: as required per gutter end
- Applicable to: B-1 and B-2



TIP

Keep the drill square to the face for accurate thread alignment.



WATCH OUT

Over-driving the insert can damage the profile wall.



TOOLS

Cordless drill, Ø8 mm drill bit, helicoil set



TIME

10-15 min

NEXT

D5

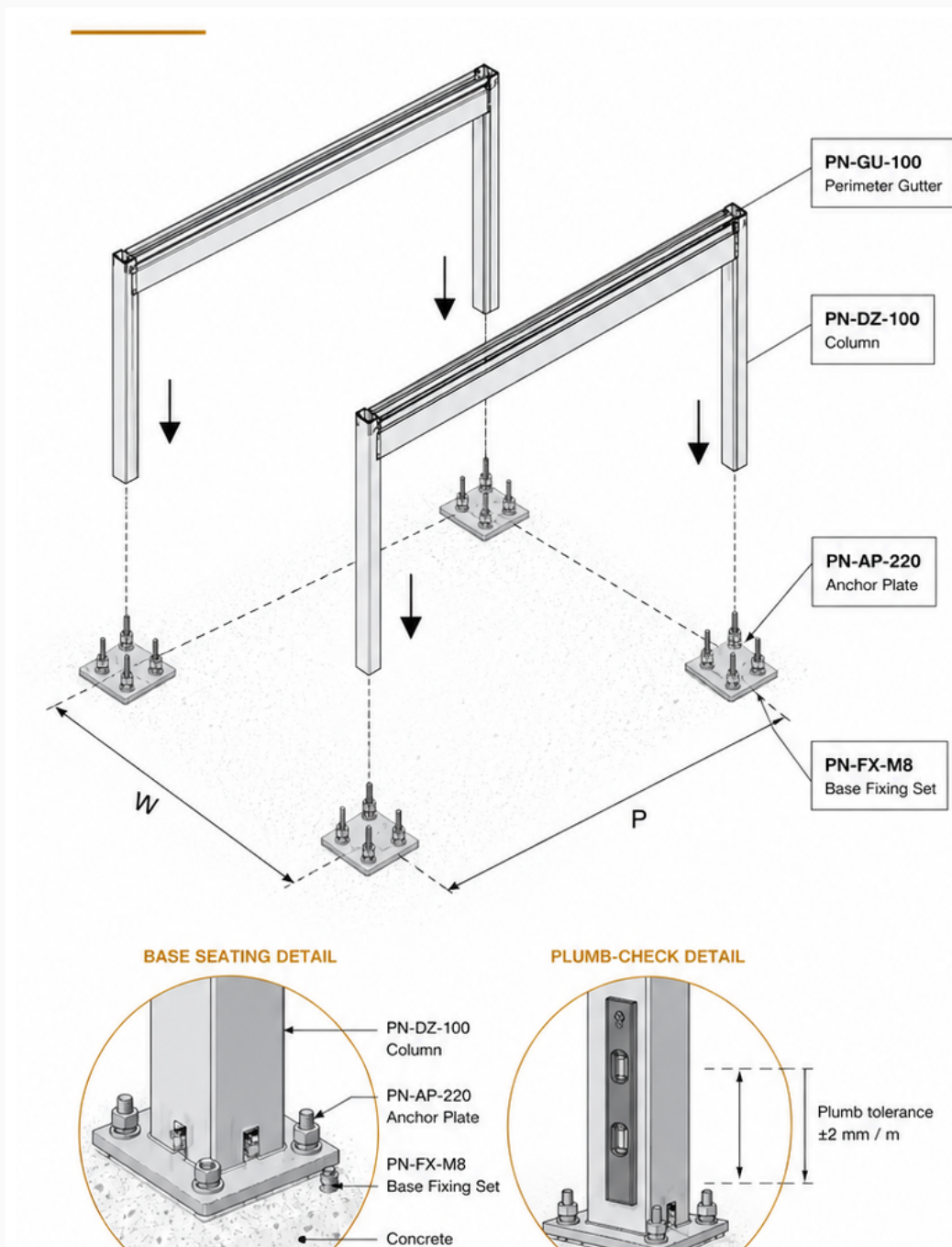
Assemble the long side frames



05

Assemble the long side frames

Two long-side ladders ready — the frame begins to take shape.



05

Assemble the long side frames

Two long-side ladders ready — the frame begins to take shape.



SUB-STEPs

- 1 Lift the two long gutters into position on the columns.
- 2 Apply neutral silicone to column-to-gutter faces.
- 3 Align gutter ends with column heads.
- 4 Insert fixing sets and secure finger-tight.
- 5 Verify both sides are parallel and level.
- 6 Confirm W and P dimensions before proceeding.



SPECIFICATIONS

- Column: PN-DZ-100
- Gutter: PN-GU-100
- Reinforcement: PN-EU-100
- Edge trim: PN-EU-101
- Long sides: B-1 and B-2



TIP

Ensure gutter feed/outlet faces inside the system.



WATCH OUT

Do not fully tighten one side before the opposite side is aligned.



TOOLS

Silicone gun, hex keys, tape measure, square



TIME

20-30 min

NEXT

D6

Install the roof slat base covers

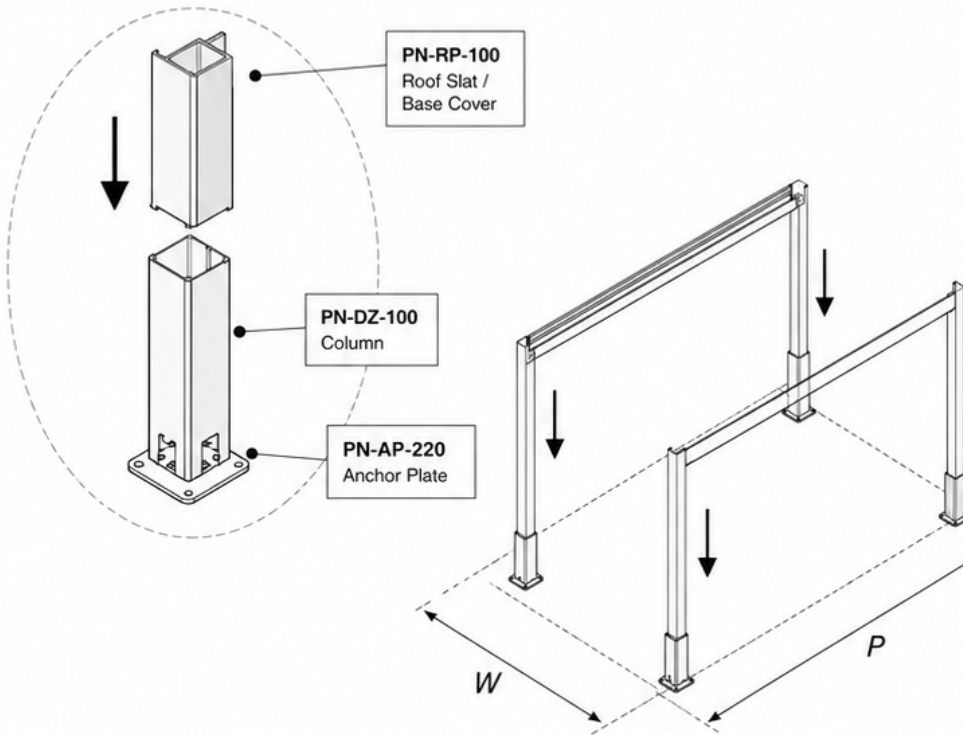


06

Install the roof slat base covers

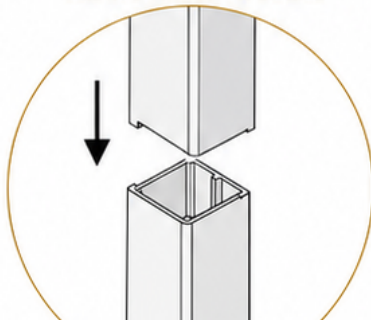
Asymmetric covers slide before sides are permanently fixed.

Install the roof slat base covers

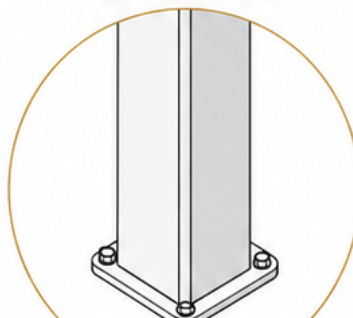


Apply to all four columns before mounting the long-side assemblies onto the feet.

SLIDING DIRECTION DETAIL



SEATED COVER DETAIL



06

Install the roof slat base covers

Asymmetric covers slide before sides are permanently fixed.



SUB-STEPS

- 1 Orient PN-RP-100 roof slat base cover.
- 2 Slide cover down over the column as shown.
- 3 Check cover is fully seated at the base.
- 4 Repeat for all four columns.
- 5 Confirm covers are unobstructed before lifting the side frames.



SPECIFICATIONS

- Cover profile: PN-RP-100
- Applicable to: all 4 columns
- Fit direction: top-down
- Purpose: base closure / clean finish



TIP

Install covers before side assemblies are permanently fixed to the foot plates.



WATCH OUT

Forcing the part may scratch the coating.



TOOLS

Soft mallet, gloves



TIME

5-10 min

NEXT

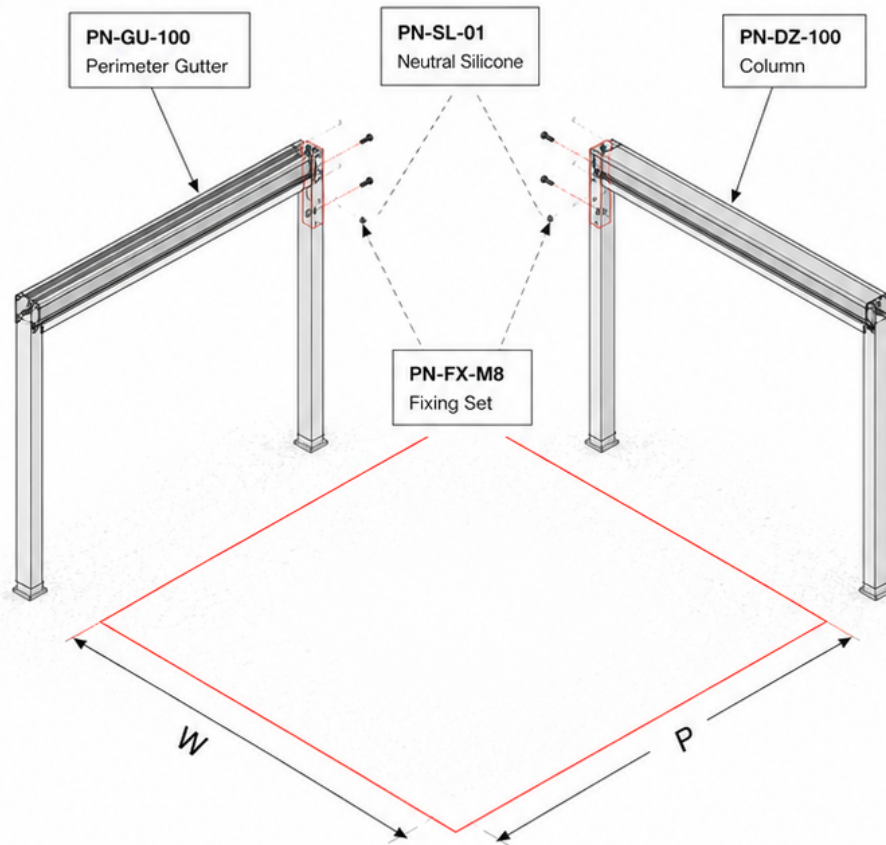
D7

Mount the long side frames onto the feet

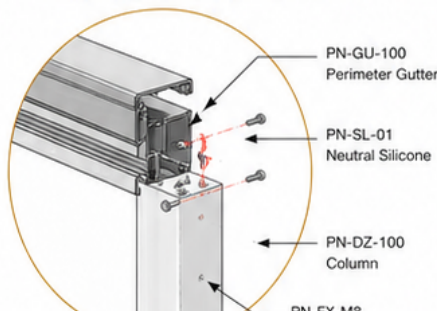


07 Mount the long side frames onto the feet

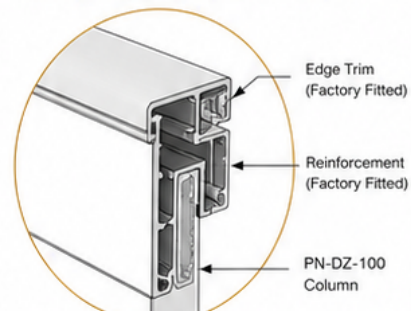
Lift the long-side frames onto the foot stubs — two installers per side.



GUTTER-TO-COLUMN JOINT DETAIL



REINFORCEMENT / EDGE TRIM DETAIL



07

Mount the long side frames onto the feet

Lift the long-side frames onto the foot stubs — two installers per side.

- 01
- 02
- 03
- 04
- 05
- 06
- 07**
- 08
- 09
- 10



SUB-STEPS

- 1 Lift assembled long side frames into position.
- 2 Position columns over the foot plates.
- 3 Lower columns vertically onto the plates.
- 4 Insert base fasteners and run down finger-tight.
- 5 Check columns are plumb.
- 6 Confirm long side assembly is stable.



SPECIFICATIONS

- Column: PN-DZ-100
- Long gutter: PN-GU-100
- Fastener: PN-FX-M8
- Plumb tolerance: ± 2 mm / m
- Install team: 2 installers



TIP

Use temporary support to keep both side assemblies upright.



WATCH OUT

Do not fully torque base fasteners until frame is closed.



TOOLS

Soft sling, spirit level, torque wrench



TIME

15-20 min

NEXT

D8

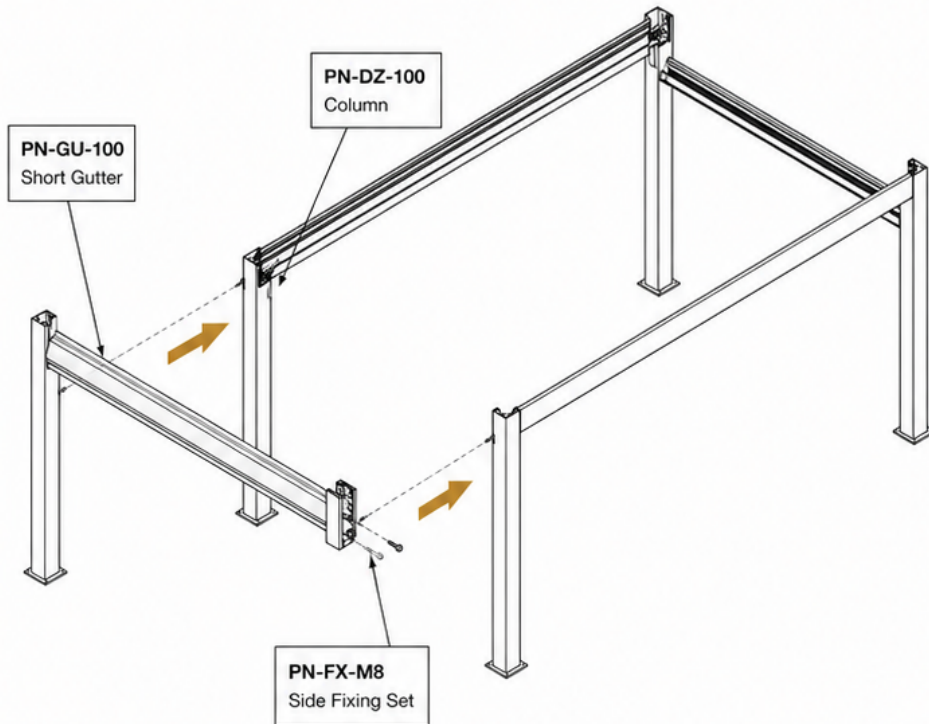
Install the left short gutter



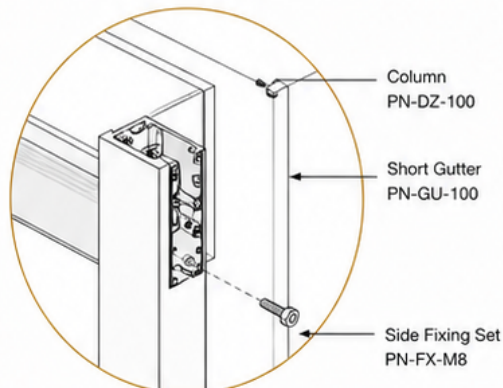
08

Install the left short gutter

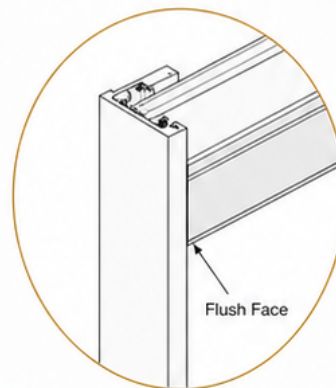
First short-side closure — geometry still adjustable here.



CORNER CONNECTION DETAIL



FLUSH ALIGNMENT DETAIL



08

Install the left short gutter

First short-side closure — geometry still adjustable here.



SUB-STEPS

- 1 Position the short gutter between two columns on the left side.
- 2 Align both end interfaces with column heads.
- 3 Insert side fixing set into pre-drilled holes.
- 4 Check the gutter face is flush with both columns.
- 5 Verify frame squareness.
- 6 Tighten lightly for final alignment.



SPECIFICATIONS

- Short gutter: PN-GU-100
- Reinforcement: PN-EU-100
- Edge trim: PN-EU-101
- Side fasteners: M8
- Side member: C-1



TIP

Clamp the profile temporarily before installing the second fixing point.



WATCH OUT

If not fully seated, the opposite side will not align.



TOOLS

Clamp, hex keys, square, tape measure



TIME

10-15 min

NEXT

D9

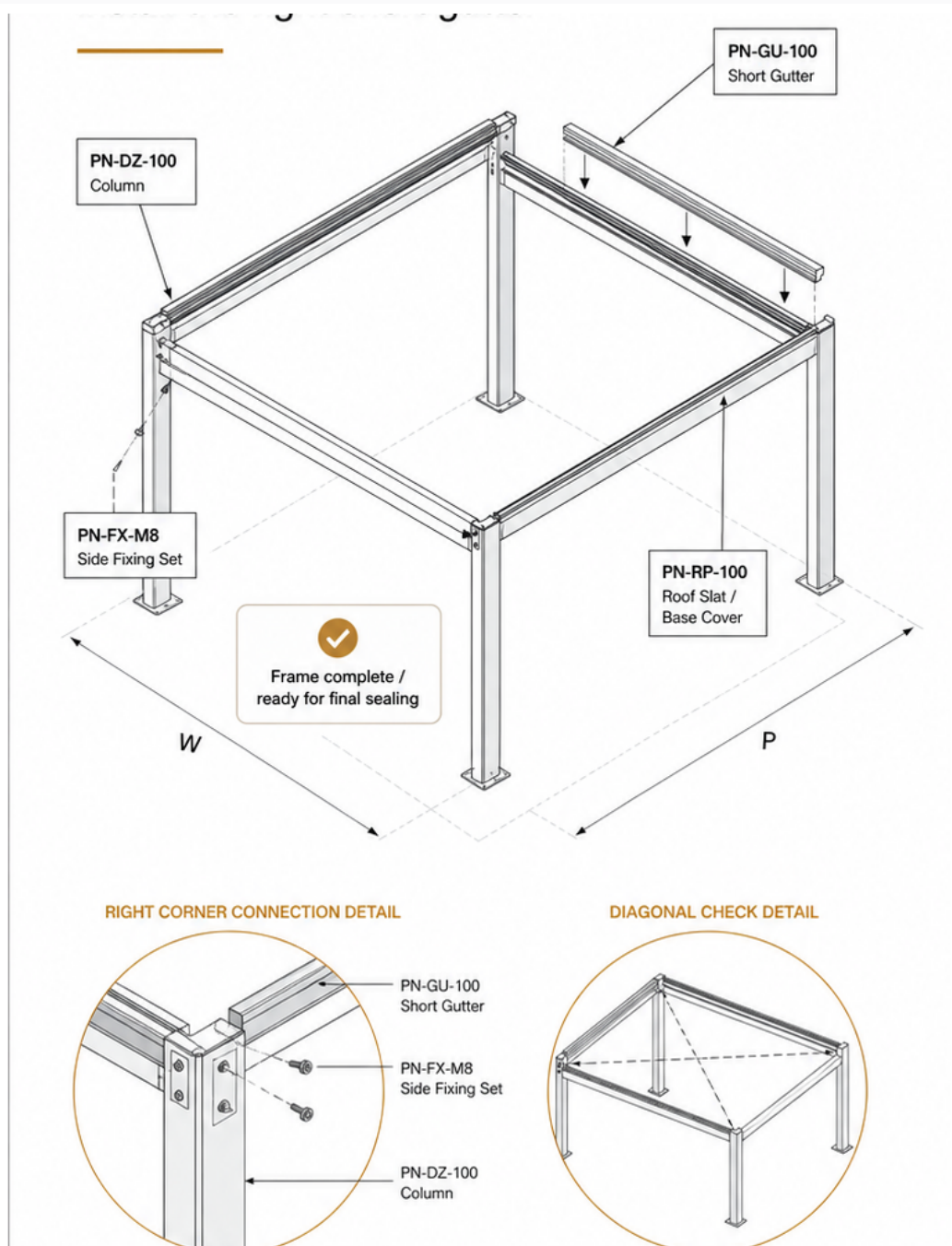
Install the right short gutter



09

Install the right short gutter

Right-side closure locks the rectangle — diagonals must match within 5 mm.



09

Install the right short gutter

Right-side closure locks the rectangle — diagonals must match within 5 mm.



SUB-STEPS

- 1 Position the right short gutter between front and rear side members.
- 2 Align both ends so the gutter seats fully.
- 3 Insert side fixing set through pre-drilled holes.
- 4 Measure both diagonals to confirm squareness.
- 5 Tighten all side fasteners evenly.
- 6 Confirm frame is fully closed and ready for final sealing.



SPECIFICATIONS

- Short gutter: PN-GU-100
- Diagonal tolerance: ± 3 mm
- Side fasteners: M8
- Frame status: fully closed rectangle
- Side member: C-2



TIP

Measure diagonals after closing the right side.



WATCH OUT

A twisted frame affects roof slat alignment.



TOOLS

Tape measure, square, clamp, torque wrench



TIME

10-15 min

NEXT

D10

Seal the four corners

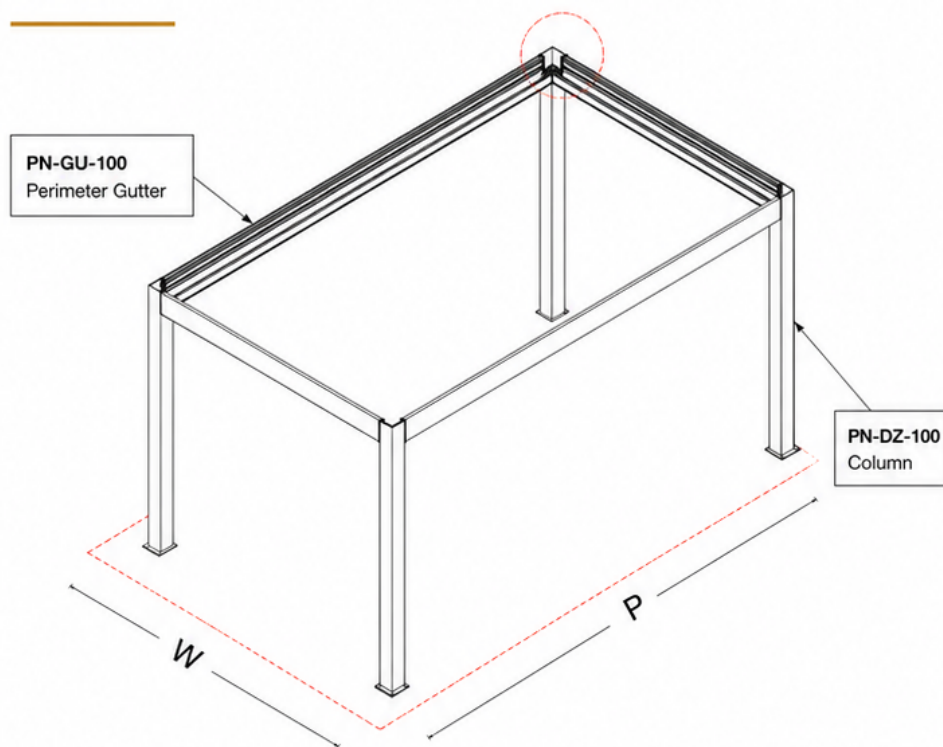


10

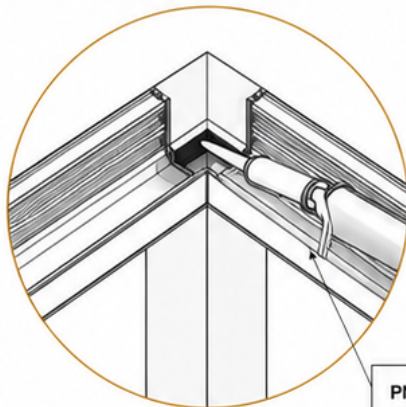
Seal the four corners

A continuous neutral-cure silicone bead seals the four upper corners.

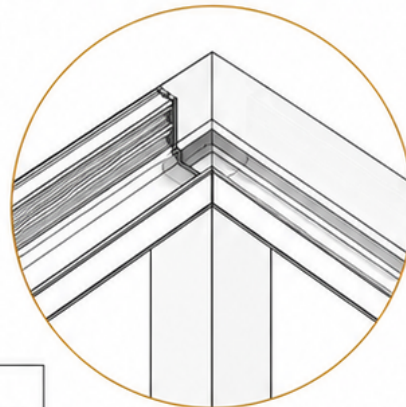
Seal the four corners



CORNER SILICONE DETAIL



COMPLETED SEALED-CORNER DETAIL



PN-SL-01
Neutral Silicone

10

Seal the four corners

A continuous neutral-cure silicone bead seals the four upper corners.



SUB-STEPS

- 1 Clean all upper corner joints.
- 2 Apply neutral silicone to all four upper corners.
- 3 Smooth the bead for a continuous finish.
- 4 Visually check all corners are fully sealed.
- 5 Allow silicone to cure before final handover.



SPECIFICATIONS

- Sealant: PN-SL-01 neutral silicone
- Application: 4 upper corners
- Final frame: assembled and sealed
- Weather protection: continuous bead
- Inspection: no gaps



TIP

Apply a continuous bead without gaps for better weather protection.



WATCH OUT

Contaminated surfaces reduce adhesion. Clean and dry the joint first.



TOOLS

Silicone gun, cleaning cloth, nitrile gloves



TIME

10-15 min

01
02
03
04
05
06
07
08
09
10