

PONARC

INSTALLATION GUIDE

Luxa Aperio

800

Motorised retractable louvre roof

Slide-and-stack aluminium louvres on a rail.  
Full sky access when open · weather-tight when closed.

A LUXASHADE PRODUCT

 LUXASHADE

EN

## OVERVIEW · CONTENTS &amp; PROJECT BRIEF

# 18 steps to a motorised louvre roof.

## STEPS

**18**

3 phases · frame · rail · lamellas

## CREW

**2 installers**

recommended throughout

## DIFFICULTY



moderate-to-advanced · RTS motor wiring

## EDITION

**2026.1**

January 2026 · EN

- |           |  |              |
|-----------|--|--------------|
| <b>01</b> | <b>Install the rail carrier feet on the main gutters</b><br>Mount the rail carrier feet on the gutter profiles — they anchor the entire rail system. | <b>FRAME</b> |
| <b>02</b> | <b>Assemble the two U-shaped side frames</b><br>Bracket the pillars to the gutters into U-shape — long-side ladders form on the ground.              | <b>FRAME</b> |
| <b>03</b> | <b>Secure the gutter-to-pillar joints</b><br>Screw gutter and pillar profiles together — IMBUS bolts through the alloy mating block.                 | <b>FRAME</b> |
| <b>04</b> | <b>Anchor the four pillar bases</b><br>Anchor the pillar baseplates to the slab — M10 buldex wedge anchors, water outlet outward.                    | <b>FRAME</b> |
| <b>05</b> | <b>Place the two U-shaped side frames on the anchors</b><br>Stand the U-frames onto the ground anchors — two installers per U.                       | <b>FRAME</b> |
| <b>06</b> | <b>Install the remaining gutters to close the frame</b><br>Mount the remaining gutters between the standing pillars — close the perimeter.           | <b>FRAME</b> |
| <b>07</b> | <b>Install the drainage assembly in the pillar</b><br>Install the drainage tube inside each pillar before any closing profile.                       | <b>FRAME</b> |
| <b>08</b> | <b>Install the rail carrier apparatus and rail profiles</b><br>Verify frame square and re-torque — every mm here multiplies on the rail later.       | <b>FRAME</b> |
| <b>09</b> | <b>Adjust and fix the rear rail</b><br>Drop the rail profiles onto the carrier feet, then mount the carrier apparatus.                               | <b>RAIL</b>  |
| <b>10</b> | <b>Install the fixed-blade connection plates</b><br>Set rail incline and lock the carrier apparatus — equal incline both sides is critical.          | <b>RAIL</b>  |
| <b>11</b> | <b>Insert the galvanized drive shaft</b><br>Screw the fixed-blade connection plate to the back gutter.   | <b>RAIL</b>  |
| <b>12</b> | <b>Install the gutter extension profiles</b><br>Pass the galvanized drive shaft through the rail rear mechanism.                                     | <b>RAIL</b>  |
| <b>13</b> | <b>Mount the rail-end brackets and rail closing profiles</b><br>Install the front and back gutter extension profiles.                                | <b>RAIL</b>  |
| <b>14</b> | <b>Install the fixed lamella and set belt tension</b><br>Mount rail-closing brackets and profiles, then final-torque.                                | <b>RAIL</b>  |

- |           |  |                 |
|-----------|--|-----------------|
| <b>15</b> | <b>Install the opening lamellas and scissor linkage</b><br>Mount the RTS motor and belt tensioner — diagonal alignment via front-head tensioner. | <b>LAMELLAS</b> |
| <b>16</b> | <b>Install the corner-jointed gutter extension surround</b><br>Slide opening lamellas onto the rails (back to front) with scissor linkages.      | <b>LAMELLAS</b> |
| <b>17</b> | <b>Install the fixed-blade closing profile</b><br>Place the gutter extension profiles on the gutters with corner joints.                         | <b>LAMELLAS</b> |
| <b>18</b> | <b>Connect the water tube pipes and complete the system</b><br>Cap with the fixed-blade closing profile and connect the water tube pipe.         | <b>LAMELLAS</b> |

# 01

## Install the rail carrier feet on the main gutters

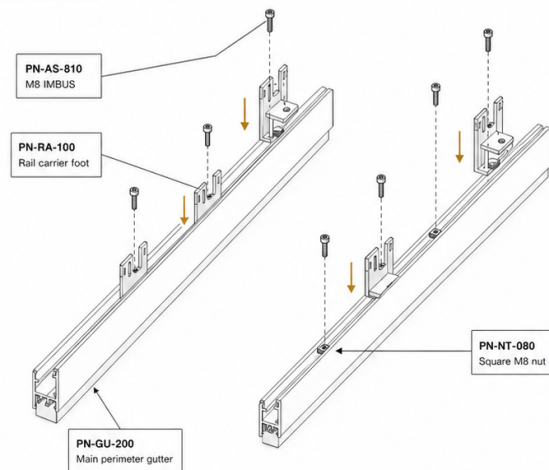
Mount the rail carrier feet on the gutter profiles — they anchor the entire rail system.

**PONARC**  
LUXASHADE

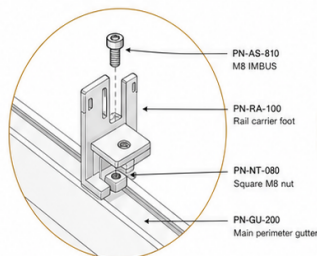
INSTALLATION GUIDE

### STEP D1 · 01/18

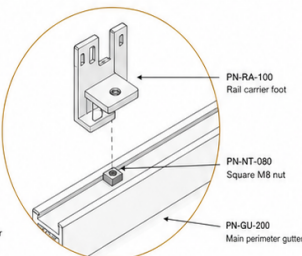
Install the rail carrier feet on the main gutters



RAIL CARRIER FOOT DETAIL



GUTTER CHANNEL DETAIL



#### 1 SUB-STEPS

- Place both PN-GU-200 main gutters on a clean flat surface.
- Insert PN-NT-080 square nuts into the designated gutter channel positions.
- Position each PN-RA-100 rail carrier foot above the corresponding nut locations.
- Align the fixing holes of the foot with the gutter channel.
- Fasten each foot using PN-AS-810 M8 IMBUS screws.
- Confirm all feet are equally spaced and securely seated.

#### S SPECIFICATIONS

- Main gutter: PN-GU-200
- Rail carrier foot: PN-RA-100
- Fasteners: PN-AS-810 + PN-NT-080
- Applicable operation: both side gutters
- Alignment tolerance: ±2 mm

#### i TIP

Pre-mark the mounting positions on both gutters so the rail system remains parallel during later assembly.

#### ! WATCH OUT

Do not tighten one foot completely before all carrier feet are aligned. Uneven spacing will affect rail installation later.

#### T TOOLS

Hex key, tape measure, marker

#### 🕒 TIME

10–15 min

← PREVIOUS

PONARC · Engineering reference

NEXT →

PONARC

# 02 Assemble the two U-shaped side frames

Bracket the pillars to the gutters into U-shape — long-side ladders form on the ground.

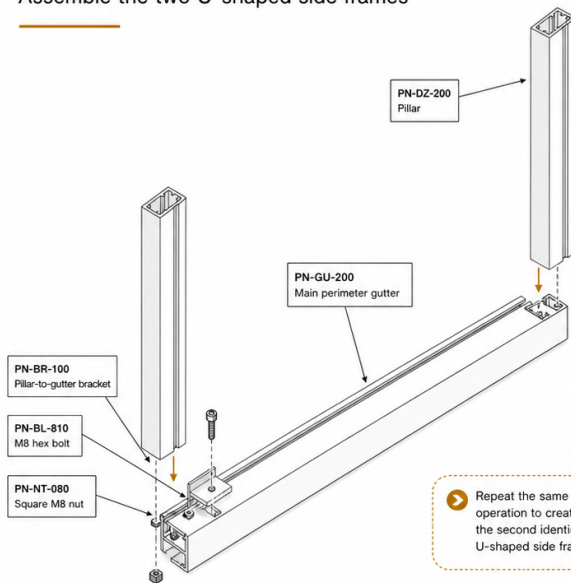
01  
02  
03  
04  
05  
06  
07  
08  
09  
10  
11  
12  
13  
14  
15  
16  
17  
18

**PONARC**®  
LUXASHADE

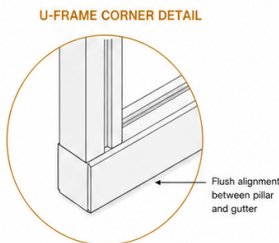
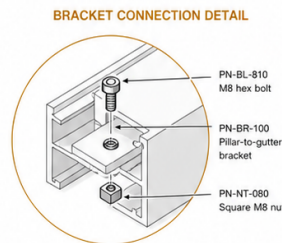
INSTALLATION GUIDE

## STEP D2 · 02/18

Assemble the two U-shaped side frames



Repeat the same operation to create the second identical U-shaped side frame.



### 1 SUB-STEPS

- Place the prepared PN-GU-200 main gutter on a clean flat surface.
- Position one PN-DZ-200 pillar at each end of the gutter.
- Insert the PN-BR-100 pillar-to-gutter bracket into the connection zone.
- Align the fixing holes and install PN-BL-810 bolts with PN-NT-080 square nuts.
- Tighten progressively until the first U-shaped frame is stable and square.
- Repeat the same operation to create the second side frame.

### S SPECIFICATIONS

- Pillar: PN-DZ-200
- Main perimeter gutter: PN-GU-200
- Bracket: PN-BR-100
- Fasteners: PN-BL-810 + PN-NT-080
- Output: 2 matching U-shaped side frames
- Alignment tolerance: ±2 mm

### i TIP

Assemble both side frames on the floor before proceeding to the anchoring stage.

### ! WATCH OUT

Ensure the machined gutter face is oriented toward the inside of the system.

### T TOOLS

Hex key, square, tape measure, marker

### 🕒 TIME

15–20 min

← PREVIOUS

PONARC · Engineering reference

NEXT →

PONARC

# 03

## Secure the gutter-to-pillar joints

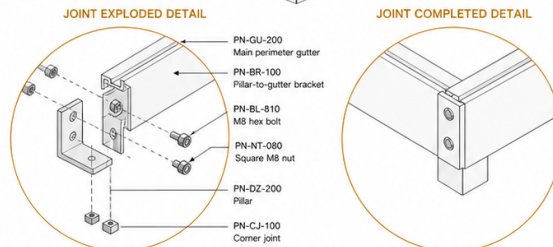
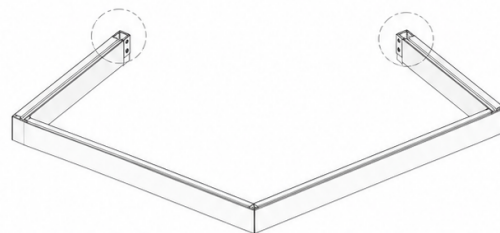
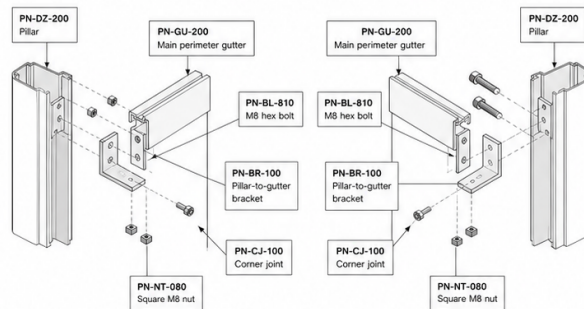
Screw gutter and pillar profiles together — IMBUS bolts through the alloy mating block.

**PONARC**  
LUXASHADE

INSTALLATION GUIDE

### STEP D3 · 03/18

Secure the gutter-to-pillar joints



#### 1 SUB-STEPS

1. Seat the PN-BR-100 bracket fully inside the gutter-to-pillar connection.
2. Align the fixing holes of the pillar and gutter with the bracket.
3. Install PN-BL-810 bolts and engage the PN-NT-080 square nuts.
4. Tighten the hardware progressively on both upper corners.
5. Check that both joint faces are flush and the side frame remains square.
6. Repeat for the second side frame.

#### S SPECIFICATIONS

- Pillar: PN-DZ-200
- Main perimeter gutter: PN-GU-200
- Bracket: PN-BR-100
- Corner joint: PN-CJ-100
- Fasteners: PN-BL-810 + PN-NT-080
- Joint tolerance: ±2 mm

#### i TIP

Tighten the left and right joints alternately to prevent frame twist.

#### ! WATCH OUT

Do not fully torque one corner before confirming alignment at the opposite corner.

#### T TOOLS

Hex key, soft mallet, square

#### 🕒 TIME

10–15 min

← PREVIOUS

PONARC · Engineering reference

NEXT →

PONARC

# 04

## Anchor the four pillar bases

Anchor the pillar baseplates to the slab — M10 buldex wedge anchors, water outlet outward.

**PONARC**®  
LUXASHADE

INSTALLATION GUIDE

---

### STEP D4 · 04/18

Anchor the four pillar bases

**1 SUB-STEPS**

- 1 Mark the four base locations according to W and P.
- 2 Confirm the diagonals are equal before drilling.
- 3 Drill the slab and install PN-BX-110 anchors.
- 4 Orient the water outlet to face outward.
- 5 Tighten the pillar-ground connections at all four corners.
- 6 Re-check level and squareness.

**S SPECIFICATIONS**

- Anchor type: PN-BX-110
- Applicable to: four pillar bases
- Orientation: water outlet faces outward
- Tolerance (diagonals): ±3 mm
- Substrate: concrete slab

**i TIP**

Mark the rectangle with a chalk line before drilling.

**! WATCH OUT**

Do not invert the outlet orientation.

**T TOOLS**

Hammer drill, wrench, tape measure, spirit level.

**🕒 TIME**

20–30 min.

**ANCHORING DETAIL**

**OUTLET ORIENTATION DETAIL**

← PREVIOUS
PONARC · Engineering reference
NEXT →

# 05

## Place the two U-shaped side frames on the anchors

Stand the U-frames onto the ground anchors — two installers per U.

01  
02  
03  
04  
05  
06  
07  
08  
09  
10  
11  
12  
13  
14  
15  
16  
17  
18

**PONARC**®  
LUXASHADE

**INSTALLATION GUIDE**

---

### STEP D5 · 05/18

Place the two U-shaped side frames on the anchors

**BASE SEATING DETAIL**

**INSIDE-EDGE ORIENTATION DETAIL**

**ATTENTION PLEASE!**  
 THE MACHINED GUTTER EDGES MUST FACE INTO THE SYSTEM.

**1 SUB-STEPS**

- 1 Lift the two assembled U-shaped side frames.
- 2 Align each pillar over the anchored base positions.
- 3 Lower both frames vertically onto the anchors.
- 4 Confirm the machined gutter edges face the inside of the system.
- 5 Check the two side frames are parallel.
- 6 Temporarily secure before the next step.

**S SPECIFICATIONS**

- Side frame assembly consists of PN-DZ-200 and PN-GU-200
- Quantity: 2 side frames
- Plumb tolerance: ±2 mm/m
- Install team: 2 installers

**i TIP**

Use temporary support to keep both frames upright.

**! WATCH OUT**

Incorrect gutter orientation will prevent later rail and blade alignment.

**T TOOLS**

Soft sling, hex keys, spirit level

**🕒 TIME**

15-20 min

← PREVIOUS
PONARC · Engineering reference
NEXT →

# 06

## Install the remaining gutters to close the frame

Mount the remaining gutters between the standing gutters — close the perimeter.

01  
02  
03  
04  
05  
06  
07  
08  
09  
10  
11  
12  
13  
14  
15  
16  
17  
18

**PONARC**®  
LUXASHADE

INSTALLATION GUIDE

---

### STEP D6 · 06/18

Install the remaining gutters to close the frame

**1 SUB-STEPS**

- 1 Position the front gutter between the two side frames.
- 2 Align the bracket connection with the pillar.
- 3 Insert PN-BL-810 bolts with PN-NT-080 square nuts.
- 4 Repeat for the opposite gutter.
- 5 Confirm the frame is closed and square.
- 6 Tighten evenly at all corner joints.

**S SPECIFICATIONS**

- Main gutter: PN-GU-200
- Connection bracket: PN-BR-100
- Corner joint: PN-CJ-100
- Fasteners: PN-BL-810 + PN-NT-080
- Frame tolerance: diagonals ±3 mm

**i TIP**

Tighten left and right sides alternately to avoid twist.

**! WATCH OUT**

Do not fully torque one side before the opposite side is connected.

**T TOOLS**

Hex key, square, tape measure

**⌚ TIME**

15–20 min

← PREVIOUS

PONARC · Engineering reference

NEXT →

**BRACKETED JOINT DETAIL**

**CORNER CONNECTION DETAIL**

# 07

## Install the drainage assembly in the pillar

Install the drainage tube inside each pillar before any closing profile.

**PONARC**®  
LUXASHADE

INSTALLATION GUIDE

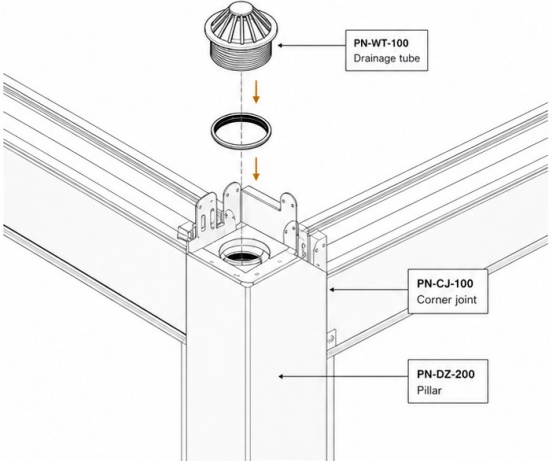
---

### STEP D7 · 07/18

Install the drainage assembly in the pillar

**1 SUB-STEPS**

- 1 Insert the drainage fitting into the prepared corner assembly.
- 2 Seat the gasket / collar correctly.
- 3 Position the assembly over the pillar opening.
- 4 Secure the drainage component in place.
- 5 Confirm the outlet path is clear inside the pillar.
- 6 Repeat on the required drainage corner.

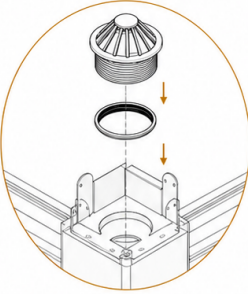


PN-WT-100  
Drainage tube

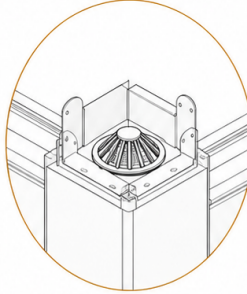
PN-CJ-100  
Corner joint

PN-DZ-200  
Pillar

**DRAINAGE EXPLODED DETAIL**



**DRAINAGE SEATED DETAIL**



← PREVIOUS

PONARC · Engineering reference

NEXT →

**S SPECIFICATIONS**

- Drainage component: PN-WT-100
- Applies to drainage corner
- Outlet path inside pillar
- Fit must be fully seated
- Leak-free assembly required

**i TIP**

Check the inside of the pillar is free from debris before installation.

**! WATCH OUT**

Misalignment can reduce water flow.

**T TOOLS**

Screwdriver, soft mallet, cleaning cloth

**🕒 TIME**

10–15 min

# 08

## Install the rail carrier apparatus and rail profiles

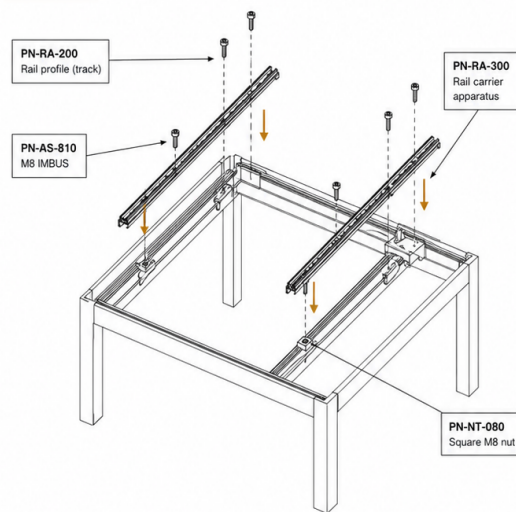
Verify frame square and re-torque — every mm here multiplies on the rail later.

PONARC®  
LUXASHADE

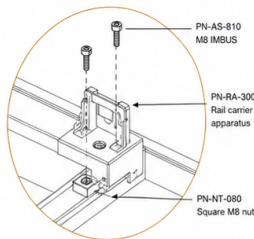
INSTALLATION GUIDE

### STEP D8 · 08/18

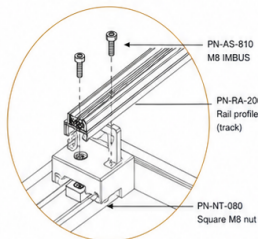
Install the rail carrier apparatus and rail profiles



RAIL APPARATUS DETAIL



TRACK FIXING DETAIL



#### 1 SUB-STEPS

- 1 Position the rail carrier apparatus at the prepared mounting zones.
- 2 Secure each apparatus to the frame.
- 3 Place the PN-RA-200 rail profiles onto the apparatus.
- 4 Align the tracks parallel to each other.
- 5 Fasten with PN-AS-810 screws.
- 6 Confirm smooth and even track alignment.

#### S SPECIFICATIONS

- Rail profile: PN-RA-200
- Carrier apparatus: PN-RA-300
- Operation count: two rail lines
- Alignment: tracks parallel
- Fasteners: PN-AS-810 + PN-NT-080

#### i TIP

Verify both rails are equally spaced before tightening.

#### ! WATCH OUT

Rail misalignment will affect lamella travel.

#### T TOOLS

Hex keys, tape measure, marker

#### ⌚ TIME

20–25 min

← PREVIOUS

PONARC · Engineering reference

NEXT →

PONARC

# 09

## Adjust and fix the rear rail

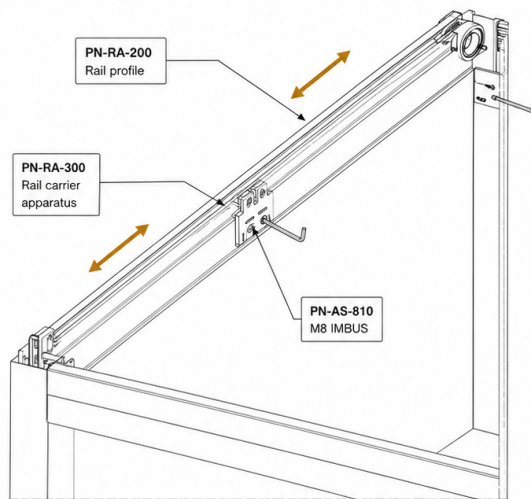
Drop the rail profiles onto the carrier feet, then mount the carrier apparatus.

PONARC®  
LUXASHADE

INSTALLATION GUIDE

### STEP D9 · 09/18

Adjust and fix the rear rail



- 1 SUB-STEPS**
- 1 Position the rear rail on the carrier apparatus.
  - 2 Adjust its position according to the required incline.
  - 3 Check the rail remains parallel with the front rail.
  - 4 Lock the adjustment with PN-AS-810 screws.
  - 5 Verify free travel along the rail.
  - 6 Repeat for the opposite side if required.

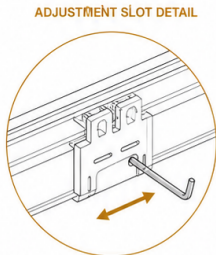
- S SPECIFICATIONS**
- Rail profile: PN-RA-200
  - Carrier apparatus: PN-RA-300
  - Adjustment purpose: incline / travel alignment
  - Fasteners: PN-AS-810
  - Tolerance: parallelism ±2 mm

**i TIP**  
Tighten gradually while checking movement.

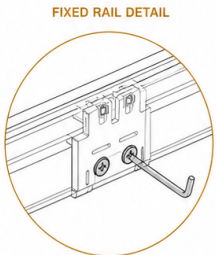
**! WATCH OUT**  
Over-tightening before alignment can bind the mechanism.

**T TOOLS**  
Hex keys, square, feeler gauge

**⌚ TIME**  
10 – 15 min



Loosen screws and slide the carrier apparatus along the slot to set the incline.



Position set. Tighten PN-AS-810 screws to lock the rail securely.

← PREVIOUS

PONARC · Engineering reference

NEXT →

PONARC

# 10

## Install the fixed-blade connection plates

Set rail incline and lock the carrier apparatus — equal incline both sides is critical.

PONARC®  
LUXASHADE

INSTALLATION GUIDE

### STEP D10 · 10/18

Install the fixed-blade connection plates

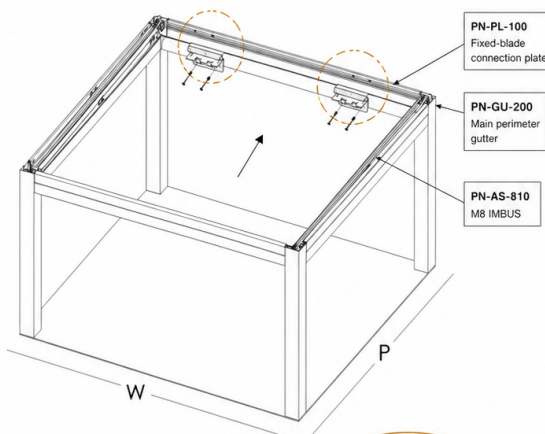


PLATE POSITION DETAIL

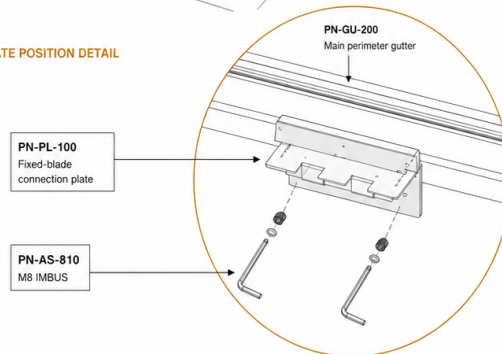


PLATE FIXING DETAIL

#### 1 SUB-STEPS

- 1 Locate the mounting positions on the back gutter.
- 2 Position the PN-PL-100 fixed-blade connection plate under the gutter.
- 3 Insert the fixing screws.
- 4 Tighten the plate securely to the gutter.
- 5 Install the second plate symmetrically.
- 6 Check both plates are aligned for the fixed lamella.

#### S SPECIFICATIONS

- Connection plate: PN-PL-100
- Location: back gutter
- Quantity: 2 plates
- Fastener: PN-AS-810
- Alignment: symmetric

#### i TIP

Measure from each side to keep both plates centered.

#### ! WATCH OUT

Misplaced plates will disturb the fixed lamella geometry.

#### T TOOLS

Hex keys, marker, tape measure

#### 🕒 TIME

10–15 min

← PREVIOUS

PONARC · Engineering reference

NEXT →

PONARC

# 11

## Insert the galvanized drive shaft

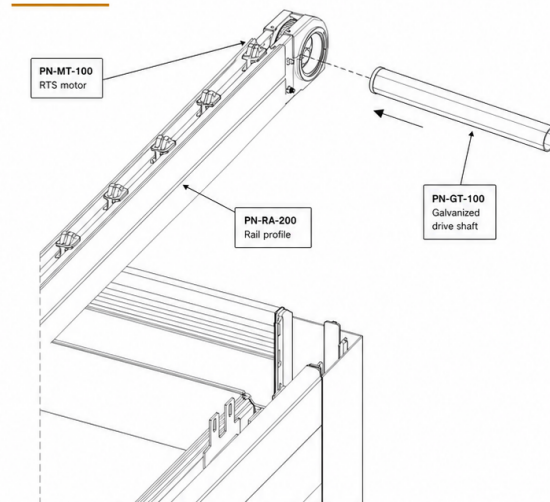
Screw the fixed-blade connection plate to the back gutter.

PONARC  
LUXASHADE

INSTALLATION GUIDE

### STEP D11 · 11/18

Insert the galvanized drive shaft



#### 1 SUB-STEPS

- 1 Prepare the rear rail mechanism for shaft insertion.
- 2 Slide the PN-GT-100 drive shaft through the rear mechanism.
- 3 Advance the shaft until fully seated.
- 4 Confirm the shaft rotates freely.
- 5 Check the drive side aligns with the motor interface.
- 6 Secure according to the mechanism requirement.

#### S SPECIFICATIONS

- Drive shaft: PN-GT-100
- Material: Galvanized steel
- Drive interface: RTS motor side
- Installation: Through rear mechanism
- Fit: Smooth rotation required

#### i TIP

Apply light lubricant if recommended by production notes.

#### ! WATCH OUT

Do not force the shaft through a misaligned mechanism.

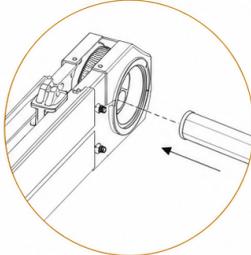
#### T TOOLS

Gloves, soft mallet, cleaning cloth.

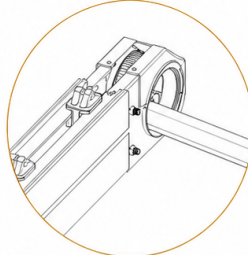
#### 🕒 TIME

10–15 min

SHAFT INSERTION DETAIL



SHAFT SEATED DETAIL



← PREVIOUS

PONARC · Engineering reference

NEXT →

PONARC

# 12

## Install the gutter extension profiles

Pass the galvanized drive shaft through the rail rear mechanism.

01  
02  
03  
04  
05  
06  
07  
08  
09  
10  
11  
12  
13  
14  
15  
16  
17  
18

**PONARC**  
LUXASHADE
INSTALLATION GUIDE

---

### STEP D12 · 12/18

Install the gutter extension profiles

**1 SUB-STEPS**

- 1 Position the front gutter extension profile over the main gutter.
- 2 Align the side fixing holes.
- 3 Fasten from the side with PN-AS-810 screws.
- 4 Repeat for the rear gutter extension profile.
- 5 Confirm both profiles sit flush and straight.
- 6 Re-check clearance to the rail mechanism.

**S SPECIFICATIONS**

- Extension profile: PN-EU-200
- Locations: front and back
- Fasteners: PN-AS-810
- Quantity: 2 profiles
- Alignment: flush to gutter

**i TIP**

Start all screws loosely, then tighten after final alignment.

**! WATCH OUT**

Uneven seating will affect the closing profiles in later steps.

**T TOOLS**

Hex keys, square, tape measure

**🕒 TIME**

15-20 min

← PREVIOUS
PONARC · Engineering reference
NEXT →

# 13

## Mount the rail-end brackets and rail closing profiles

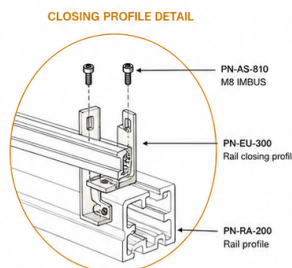
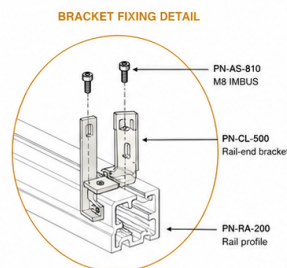
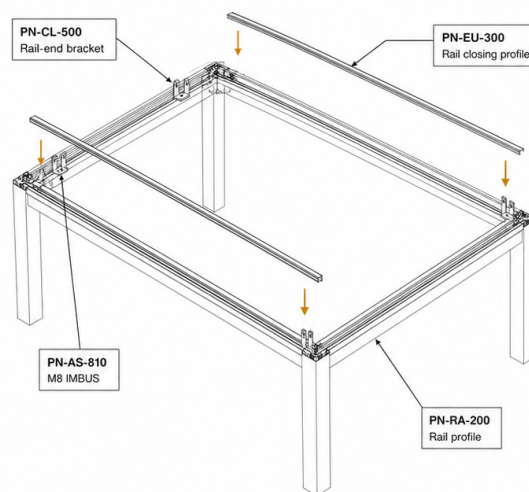
Install the front and back gutter extension profiles.

**PONARC**  
LUXASHADE

INSTALLATION GUIDE

### STEP D13 · 13/18

Mount the rail-end brackets and rail closing profiles



#### 1 SUB-STEPS

- 1 Position the PN-CL-500 rail-end brackets on the rail ends.
- 2 Secure the brackets to the rails.
- 3 Place the PN-EU-300 rail closing profiles onto the brackets.
- 4 Fix the closing profiles from the front and back.
- 5 Confirm all closing pieces are straight and centered.
- 6 Check clearance for moving lamellas and scissor linkage.

#### S SPECIFICATIONS

- Rail-end bracket: PN-CL-500
- Closing profile: PN-EU-300
- Fastener: PN-AS-810 (M8 IMBUS)
- Location: both rails
- Fit flush and secure

#### i TIP

Check both rails visually from above after tightening.

#### ! WATCH OUT

Misaligned closing profiles can interfere with sliding movement.

#### T TOOLS

Hex keys, marker, square

#### 🕒 TIME

15–20 min

← PREVIOUS

PONARC · Engineering reference

NEXT →

PONARC

# 14

## Install the fixed lamella and set belt tension

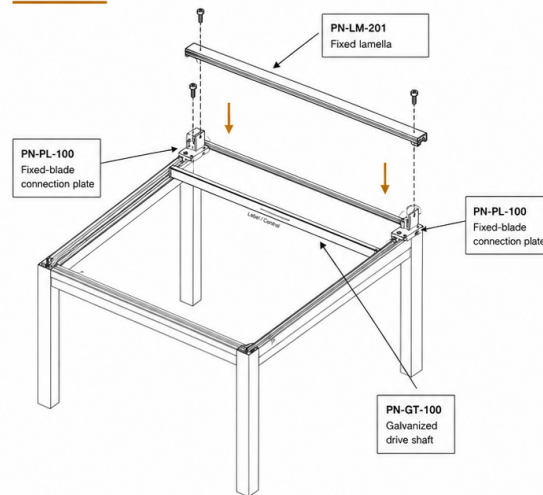
Mount rail-closing brackets and profiles, then final-torque.

PONARC<sup>®</sup>  
LUXASHADE

INSTALLATION GUIDE

### STEP D14 · 14/18

Install the fixed lamella and set belt tension



#### 1 SUB-STEPS

- 1 Place the PN-LM-201 fixed lamella onto the connection plates.
- 2 Secure the lamella with screws.
- 3 Check the lamella is centered across the width.
- 4 Access the PN-BT-100 belt tensioner at the front head.
- 5 Adjust the diagonal / belt tension until the mechanism is aligned.
- 6 Re-check the lamella and drive alignment.

#### S SPECIFICATIONS

- Fixed lamella: PN-LM-201
- Connection plate: PN-PL-100
- Tensioner: PN-BT-100
- Drive shaft: PN-GT-100
- Purpose: blade diagonal alignment
- Adjustment: gradual

#### i TIP

Make small tension adjustments and test before final tightening.

#### ! WATCH OUT

Excessive belt tension can overload the mechanism.

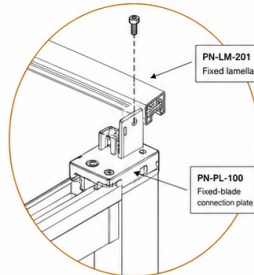
#### T TOOLS

Hex keys, small wrench, square.

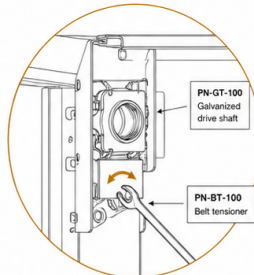
#### 🕒 TIME

15-20 min

#### FIXED LAMELLA DETAIL



#### BELT TENSIONER DETAIL



← PREVIOUS

PONARC · Engineering reference

NEXT →

PONARC

# 15

## Install the opening lamellas and scissor linkage

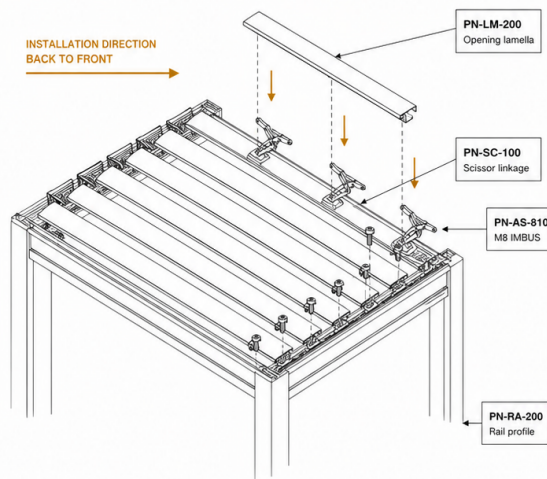
Mount the RTS motor and belt tensioner — diagonal alignment via front-head tensioner.

PONARC®  
LUXASHADE

INSTALLATION GUIDE

### STEP D15 · 15/18

Install the opening lamellas and scissor linkage



- 1 SUB-STEPS**
- 1 Start at the back of the system.
  - 2 Insert the first PN-LM-200 opening lamella into position.
  - 3 Continue installing the remaining opening lamellas forward.
  - 4 Place the PN-SC-100 scissor linkages between the designated mechanism points.
  - 5 Fix the exterior plastics and linkage with PN-AS-810 screws.
  - 6 Check synchronized movement of all opening lamellas.

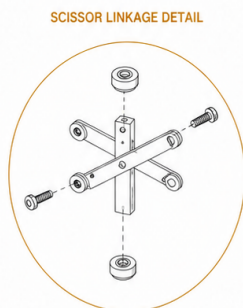
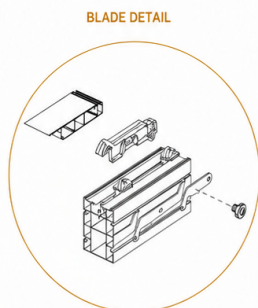
- S SPECIFICATIONS**
- Opening lamella: PN-LM-200
  - Scissor linkage: PN-SC-100
  - Fastener: PN-AS-810 (M8 IMBUS)
  - Installation direction: back to front
  - Movement: synchronized

**TIP**  
Keep the lamellas in sequence during installation to avoid mixing handed parts.

**WATCH OUT**  
An incorrectly oriented scissor linkage will block opening motion.

**TOOLS**  
Hex keys, soft gloves, marker

**TIME**  
25–35 min



← PREVIOUS

PONARC · Engineering reference

NEXT →

PONARC

01  
02  
03  
04  
05  
06  
07  
08  
09  
10  
11  
12  
13  
14  
15  
16  
17  
18

# 16

## Install the corner-jointed gutter extension surround

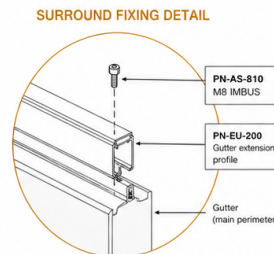
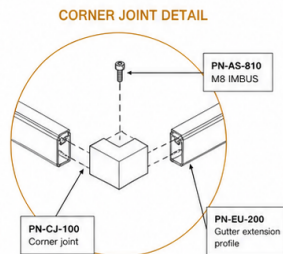
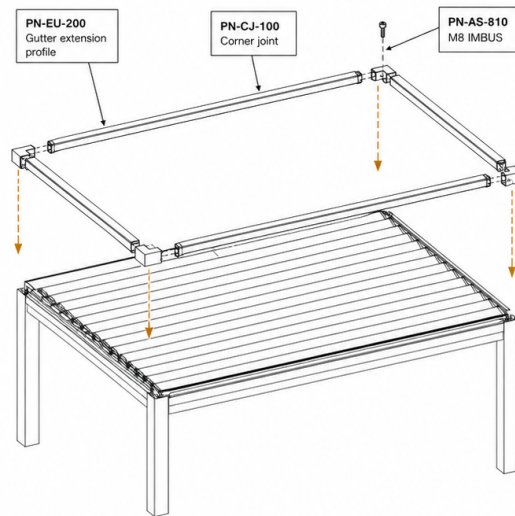
Slide opening lamellas onto the rails (back to front) with scissor linkages.

**PONARC**  
LUXASHADE

INSTALLATION GUIDE

### STEP D16 · 16/18

Install the corner-jointed gutter extension surround



#### 1 SUB-STEPS

- 1 Prepare the four PN-EU-200 extension surround pieces.
- 2 Insert PN-CJ-100 corner joints where required.
- 3 Position the surround pieces over the gutter edges.
- 4 Seat each corner fully.
- 5 Fix the profiles by screwing them in place.
- 6 Confirm the surround is continuous and square.

#### S SPECIFICATIONS

- Extension profile: PN-EU-200
- Corner joint: PN-CJ-100
- Fastener: PN-AS-810
- Surrounds perimeter of system
- Frame squareness required

#### i TIP

Assemble the corner joints loosely first, then tighten after full placement.

#### ! WATCH OUT

Gaps at the corner joints will be visible in the final finish.

#### T TOOLS

Hex keys, soft mallet, square

#### 🕒 TIME

15-20 min

← PREVIOUS

PONARC · Engineering reference

NEXT →

PONARC

# 17

## Install the fixed-blade closing profile

Place the gutter extension profiles on the gutters with corner joints.

- 01
- 02
- 03
- 04
- 05
- 06
- 07
- 08
- 09
- 10
- 11
- 12
- 13
- 14
- 15
- 16
- 17
- 18

**PONARC**®  
LUXASHADE

INSTALLATION GUIDE

---

### STEP D17 · 17/18

Install the fixed-blade closing profile

**1** SUB-STEPS

- 1 Position the PN-EU-400 fixed-blade closing profile over the final opening.
- 2 Align the fixing line with the supporting profiles.
- 3 Lower the profile evenly into position.
- 4 Fix the profile with screws.
- 5 Check the surface is straight and continuous.
- 6 Confirm the closing profile completes the top assembly.

**S** SPECIFICATIONS

- Closing profile: PN-EU-400
- Fastener: PN-AS-810
- Purpose: Final closure above fixed blade zone
- Finish: Flush and straight
- Visual quality: Premium

**i** TIP

Start fixing from the center and work outward for the best straightness.

PROFILE ENGAGEMENT DETAIL

FINAL TOP-FINISH DETAIL

**!** WATCH OUT

Do not force the profile if the underlying geometry is not aligned.

**T** TOOLS

Hex keys, straightedge, soft cloth

**🕒** TIME

10–15 min

← PREVIOUS
PONARC · Engineering reference
NEXT →

# 18

## Connect the water tube pipes and complete the system

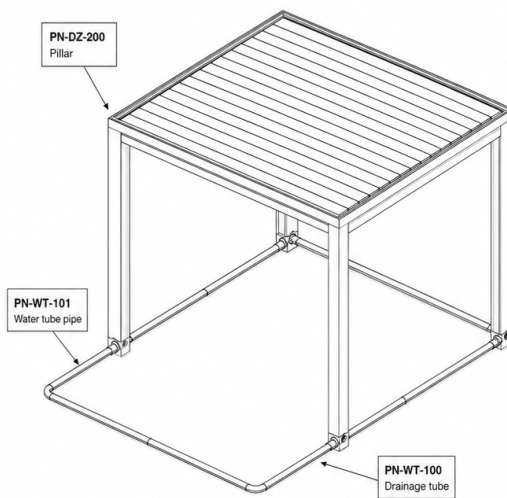
Cap with the fixed-blade closing profile and connect the water tube pipe.

**PONARC**®  
LUXASHADE

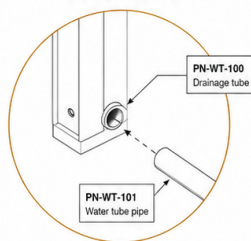
INSTALLATION GUIDE

### STEP D18 · 18/18

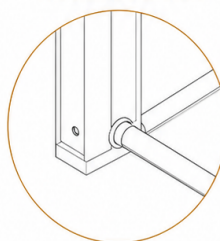
Connect the water tube pipes and complete the system



PIPE CONNECTION DETAIL



COMPLETED SYSTEM DETAIL



#### 1 SUB-STEPS

- 1 Locate each drainage outlet at the pillar base.
- 2 Push the PN-WT-101 water tube pipe onto the PN-WT-100 outlet.
- 3 Confirm the pipe is fully seated.
- 4 Repeat on all required drainage points.
- 5 Inspect the system visually for completion.
- 6 Perform a final water-flow check.

#### S SPECIFICATIONS

- Drainage outlet: PN-WT-100
- Water tube pipe: PN-WT-101
- Applies to drainage corners
- Final state: system complete
- Leak-free connection required

#### i TIP

Wet the pipe end slightly for easier installation if permitted.

#### ! WATCH OUT

A loose pipe will cause leakage at discharge.

#### T TOOLS

Gloves, cloth, inspection light

#### 🕒 TIME

5-10 min

← PREVIOUS

PONARC · Engineering reference

NEXT →

PONARC